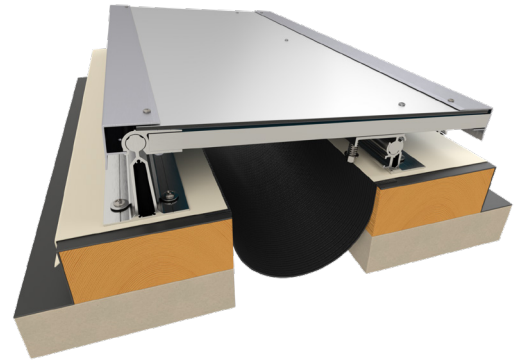


650 Series - Exterior

A01 - Roof/ Roof

A02 - Roof/ Wall



Movement Rating 100% ±

Product Guide



Thermal



Seismic



Exterior



Fire Rated
Option



Vapor

- ▶ 100%+- movement capability with full Lateral and Vertical shear capability for joint widths of 6"– 36" (150-900mm)
- ▶ Weatherproof coverplate assembly that addresses not only dynamic movement, but is easily adaptable to complex changes in direction on the building roof
- ▶ Compact and symmetrical design eases detailing and change in direction challenges
- ▶ No bulky or unsightly asymmetrical outrigger systems common to all other solutions in the Industry. Extreme movement of the structure relies on an armature that extends and compresses with the joint beneath the cover
- ▶ The positive pitch and low profile of the coverplate assembly is designed to combat water or ice damming, dramatically reduce wind uplift forces while reducing the visual impact
- ▶ Exterior finish consists of Composite Metal Panel system with the following traits:
 - (8) standard colors with custom color options available
 - Fire retardant and impact resistant panels are IBC-listed, NFPA 285 tested, ASTM E84, E119, and D3359 approved
 - Architectural grade weather and fade resistant resin (Fluoropolymer) color coating meeting AAMA 2605 requirements
- ▶ Preassembly dramatically reduces field installation costs while guaranteeing consistent high quality end results
- ▶ Patented mandible locking system keeps maintenance and annual inspections simple for facilities
- ▶ Ships in 8' (2.4m) lengths that are easily modifiable to required field lengths
- ▶ Roof-to-Roof and Roof-to-Wall applications
- ▶ A range of high performance waterproof membranes can be coupled with this adaptable system such as but not limited to:
 - Insulated Moisture Barriers (Moisture + R & U-value protection)
 - Reinforced, 2-ply 45mil thick EPDM sheetgood
 - Flexible TPO or PVC membranes options exist for chemical capability with adjacent skins

IPC./ 3535 REV.1

650 Series - Exterior

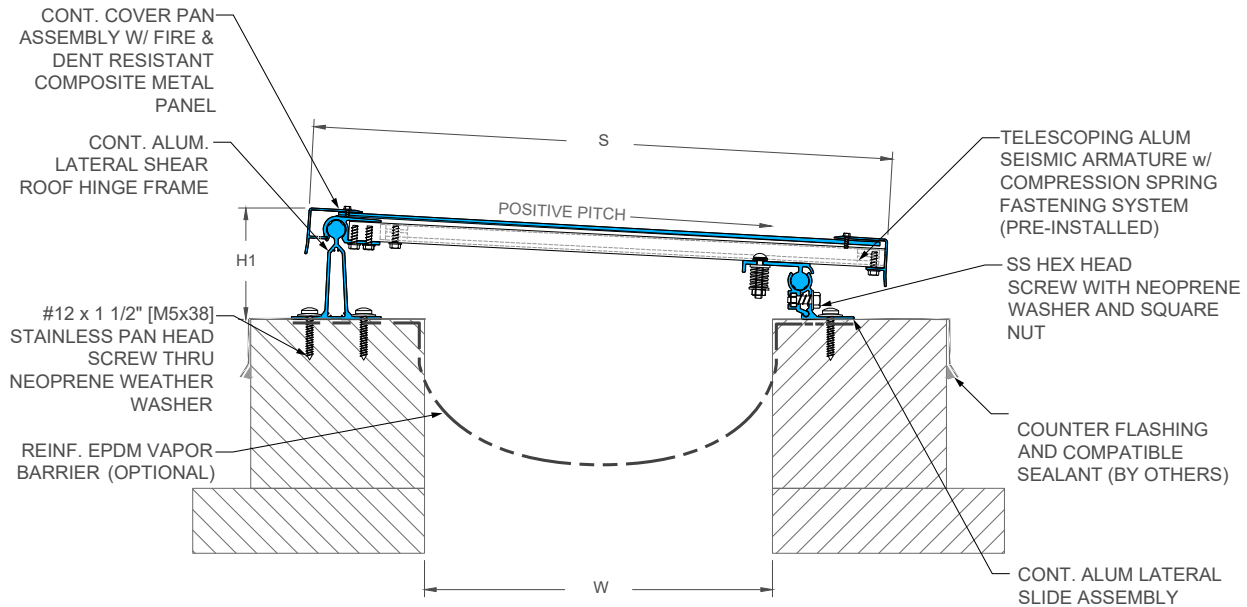
Roof Systems

Application	System	W		H1		B		S		Movement			
		Joint Width		Frame Height 1		Blockout		Sightline		Minimum		Maximum	
		US	mm	US	mm	US	mm	US	mm	US	mm	US	mm
Wall/Wall Ceiling/Ceiling	650C-A01-150	6"	152	3 13/16"	97	*	*	14"	355	2 3/4"	70	12"	305
	650C-A01-200	8"	203	3 13/16"	97	*	*	16"	407	2 3/4"	70	16"	406
	650C-A01-250	10"	254	3 13/16"	97	*	*	18"	457	2 3/4"	70	20"	508
	650C-A01-300	12"	305	3 13/16"	97	*	*	20"	508	2 3/4"	70	24"	610
	650C-A01-350	14"	356	3 13/16"	97	*	*	22"	558	2 3/4"	70	28"	711
	650C-A01-400	16"	406	3 13/16"	97	*	*	24"	609	2 3/4"	70	32"	813
	650C-A01-450	18"	457	3 13/16"	97	*	*	26"	659	2 3/4"	70	36"	914
	650C-A01-500	20"	508	3 13/16"	97	*	*	28"	711	2 3/4"	70	40"	1016
	650C-A01-550	22"	559	3 13/16"	97	*	*	30"	761	2 3/4"	70	44"	1118
	650C-A01-600	24"	610	3 13/16"	97	*	*	32"	812	2 3/4"	70	48"	1219
	650C-A01-650	26"	660	3 13/16"	97	*	*	34"	863	2 3/4"	70	52"	1321
	650C-A01-700	28"	711	3 13/16"	97	*	*	36"	913	2 3/4"	70	56"	1422
	650C-A01-750	30"	762	3 13/16"	97	*	*	38"	964	2 3/4"	70	60"	1524
650C-A01-800	32"	813	3 13/16"	97	*	*	40"	1015	2 3/4"	70	64"	1626	
Wall/Corner Wall/Ceiling	650C-A02-150	6"	152	5 7/16"	138	*	*	10"	254	2 3/4"	70	12"	305
	650C-A02-200	8"	203	5 7/16"	138	*	*	12"	304	2 3/4"	70	16"	406
	650C-A02-250	10"	254	5 7/16"	138	*	*	14"	356	2 3/4"	70	20"	508
	650C-A02-300	12"	305	5 7/16"	138	*	*	16"	406	2 3/4"	70	24"	610
	650C-A02-350	14"	356	5 7/16"	138	*	*	18"	457	2 3/4"	70	28"	711
	650C-A02-400	16"	406	5 7/16"	138	*	*	20"	508	2 3/4"	70	32"	813
	650C-A02-450	18"	457	5 7/16"	138	*	*	22"	558	2 3/4"	70	36"	914
	650C-A02-500	20"	508	5 7/16"	138	*	*	24"	609	2 3/4"	70	40"	1016
	650C-A02-550	22"	559	5 7/16"	138	*	*	26"	659	2 3/4"	70	44"	1118
	650C-A02-600	24"	610	5 7/16"	138	*	*	28"	710	2 3/4"	70	48"	1219
	650C-A02-650	26"	660	5 7/16"	138	*	*	30"	761	2 3/4"	70	52"	1321
	650C-A02-700	28"	711	5 7/16"	138	*	*	32"	812	2 3/4"	70	56"	1422
	650C-A02-750	30"	762	5 7/16"	138	*	*	34"	862	2 3/4"	70	60"	1524
650C-A02-800	32"	813	5 7/16"	138	*	*	36"	913	2 3/4"	70	64"	1626	

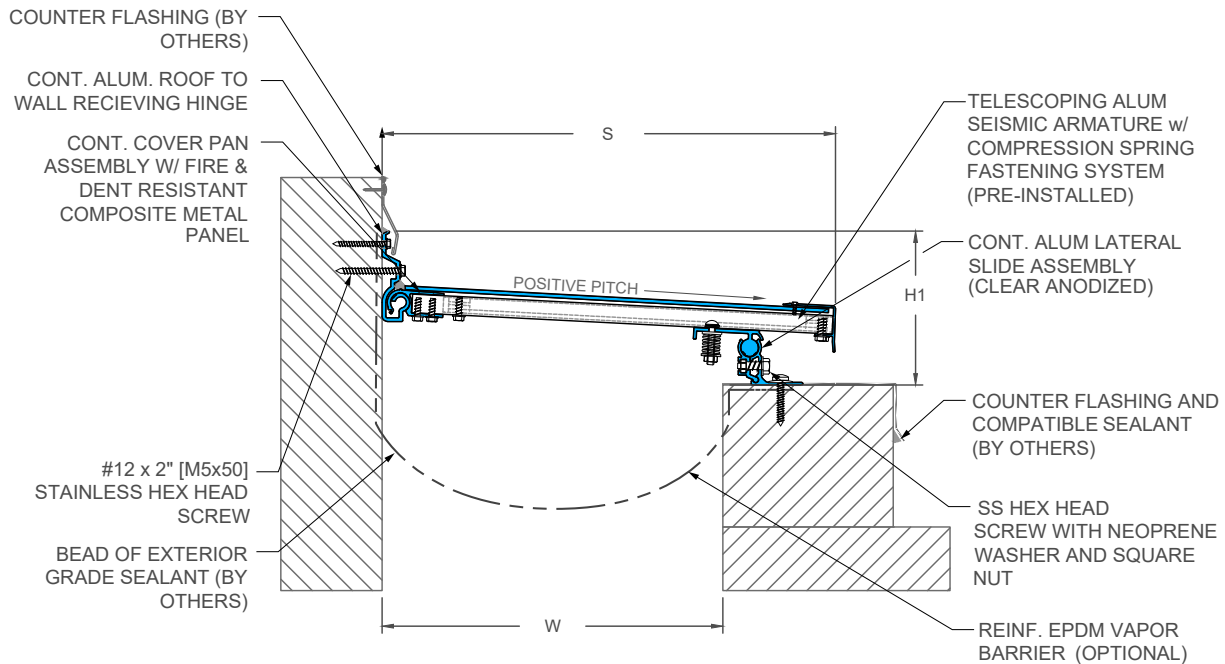
650 Series - Exterior

Roof Systems

650C-A01-300 Roof/Roof
With Vapor Barrier
(12" (305mm) system shown)



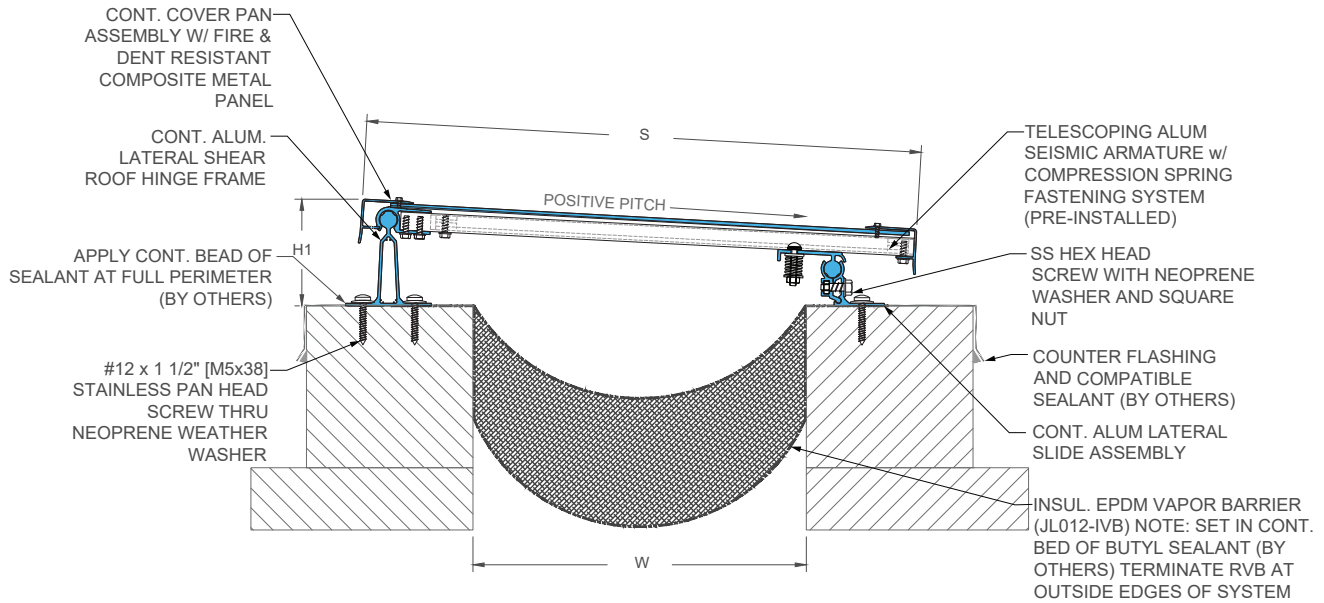
650C-A02-300 Roof/Wall
(12" (305mm) system shown)



650 Series - Exterior

Options

650C-A01-300 Roof/Roof
With Insulated Vapor Barrier
(12" (305mm) system shown)



650C-A01-300 Roof/Roof
With Fire Barrier
(12" (305mm) system shown)

