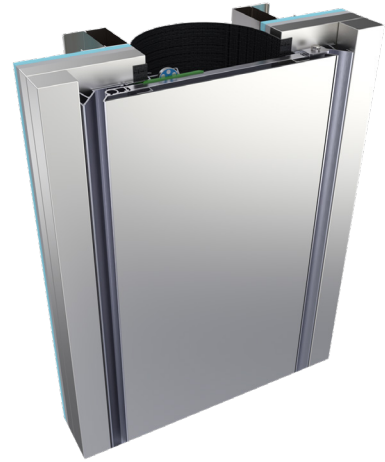


650C Series - Exterior

A07 - Wall/ Wall

A09 - Wall/ Corner



Movement Rating 100% ±

Product Guide



Thermal



Seismic



Exterior



Fire Rated
Option



Vapor

- ▶ 50-100%+- movement capability with full Lateral and Vertical shear capability for joint widths of 6"– 36" (150-900mm)
- ▶ Weatherproof coverplate assembly that addresses not only dynamic movement, but is easily adaptable to complex changes in direction on the building roof
- ▶ Compact and symmetrical design eases detailing and change in direction challenges
- ▶ Exterior finish consists of Composite Metal Panel system with the following traits:
 - (8) standard colors with custom color options available
 - Fire retardant and impact resistant panels are IBC-listed, NFPA 285 tested, ASTM E84, E119, and D3359 approved
 - Architectural grade weather and fade resistant resin (Fluoropolymer) color coating meeting AAMA 2605 requirements
 - No exposed fasteners
- ▶ Preassembly dramatically reduces field installation costs while guaranteeing consistent high quality end results
- ▶ Barrel hinged "door" design allows for generous thermal or windsway building movement without activation
 - Preassembly dramatically reduces field installation costs while guaranteeing consistent high quality end results
- ▶ High strength magnetic securing system for day-to-day movement in combination with stainless arrest cables
- ▶ Ships in 8' (2.4m) lengths that are easily modifiable to required field lengths
- ▶ Wall-to-Wall and Wall-to-Corner applications
- ▶ A range of high performance waterproof membranes can be coupled with this adaptable system such as but not limited to:
 - Insulated Moisture Barriers (Moisture + R & U-value protection)
 - Reinforced, 2-ply 45mil thick EPDM sheet
 - Flexible TPO or PVC membranes options exist for chemical capability with adjacent skins
- ▶ (8) standard colors with custom color options available

IPC./3536 REV.3

650C Series - Exterior

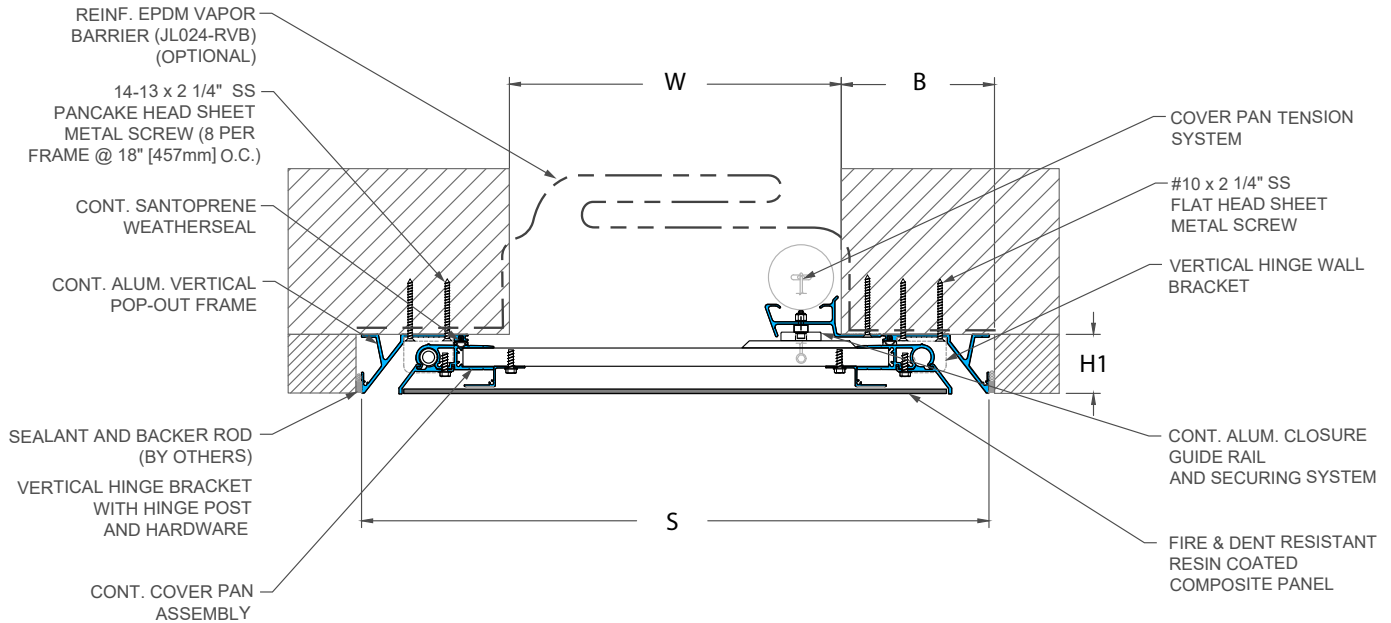
Wall Systems

Application	System	W		H1		B		S		Movement			
		Joint Width		Frame Height 1		Blockout		Sightline		Minimum		Maximum	
		US	mm	US	mm	US	mm	US	mm	US	mm	US	mm
Wall/Wall Ceiling/Ceiling	650C-A07-150	6"	152	2 1/8"	54	5 9/16"	141	16 11/16"	424	2 3/4"	70	12"	305
	650C-A07-200	8"	203	2 1/8"	54	5 9/16"	141	18 11/16"	474	2 3/4"	70	16"	406
	650C-A07-250	10"	254	2 1/8"	54	5 9/16"	141	20 11/16"	526	2 3/4"	70	20"	508
	650C-A07-300	12"	305	2 1/8"	54	5 9/16"	141	22 11/16"	576	2 3/4"	70	24"	610
	650C-A07-350	14"	356	2 1/8"	54	5 9/16"	141	24 11/16"	627	2 3/4"	70	28"	711
	650C-A07-400	16"	406	2 1/8"	54	5 9/16"	141	26 11/16"	678	2 3/4"	70	32"	813
	650C-A07-450	18"	457	2 1/8"	54	5 9/16"	141	28 11/16"	729	2 3/4"	70	36"	914
	650C-A07-500	20"	508	2 1/8"	54	5 9/16"	141	30 11/16"	780	2 3/4"	70	40"	1016
	650C-A07-550	22"	559	2 1/8"	54	5 9/16"	141	32 11/16"	831	2 3/4"	70	44"	1118
	650C-A07-600	24"	610	2 1/8"	54	5 9/16"	141	34 11/16"	881	2 3/4"	70	48"	1219
	650C-A07-650	26"	660	2 1/8"	54	5 9/16"	141	36 11/16"	932	2 3/4"	70	52"	1321
	650C-A07-700	28"	711	2 1/8"	54	5 9/16"	141	38 11/16"	983	2 3/4"	70	56"	1422
650C-A07-750	30"	762	2 1/8"	54	5 9/16"	141	40 11/16"	1034	2 3/4"	70	60"	1524	
650C-A07-800	32"	813	2 1/8"	54	5 9/16"	141	42 11/16"	1085	2 3/4"	70	64"	1626	
Wall/Corner Wall/Ceiling	650C-A09-150	6"	152	2 1/8"	54	5 9/16"	141	11 5/16"	288	2 3/4"	70	12"	305
	650C-A09-200	8"	203	2 1/8"	54	5 9/16"	141	13 3/8"	339	2 3/4"	70	16"	406
	650C-A09-250	10"	254	2 1/8"	54	5 9/16"	141	15 5/16"	390	2 3/4"	70	20"	508
	650C-A09-300	12"	305	2 1/8"	54	5 9/16"	141	17 5/16"	440	2 3/4"	70	24"	610
	650C-A09-350	14"	356	2 1/8"	54	5 9/16"	141	19 3/8"	491	2 3/4"	70	28"	711
	650C-A09-400	16"	406	2 1/8"	54	5 9/16"	141	21 3/8"	542	2 3/4"	70	32"	813
	650C-A09-450	18"	457	2 1/8"	54	5 9/16"	141	23 3/8"	593	2 3/4"	70	36"	914
	650C-A09-500	20"	508	2 1/8"	54	5 9/16"	141	25 3/8"	644	2 3/4"	70	40"	1016
	650C-A09-550	22"	559	2 1/8"	54	5 9/16"	141	27 3/8"	695	2 3/4"	70	44"	1118
	650C-A09-600	24"	610	2 1/8"	54	5 9/16"	141	29 3/8"	745	2 3/4"	70	48"	1219
	650C-A09-650	26"	660	2 1/8"	54	5 9/16"	141	31 3/8"	796	2 3/4"	70	52"	1321
	650C-A09-700	28"	711	2 1/8"	54	5 9/16"	141	33 3/8"	847	2 3/4"	70	56"	1422
650C-A09-750	30"	762	2 1/8"	54	5 9/16"	141	35 3/8"	898	2 3/4"	70	60"	1524	
650C-A09-800	32"	813	2 1/8"	54	5 9/16"	141	37 3/8"	949	2 3/4"	70	64"	1626	

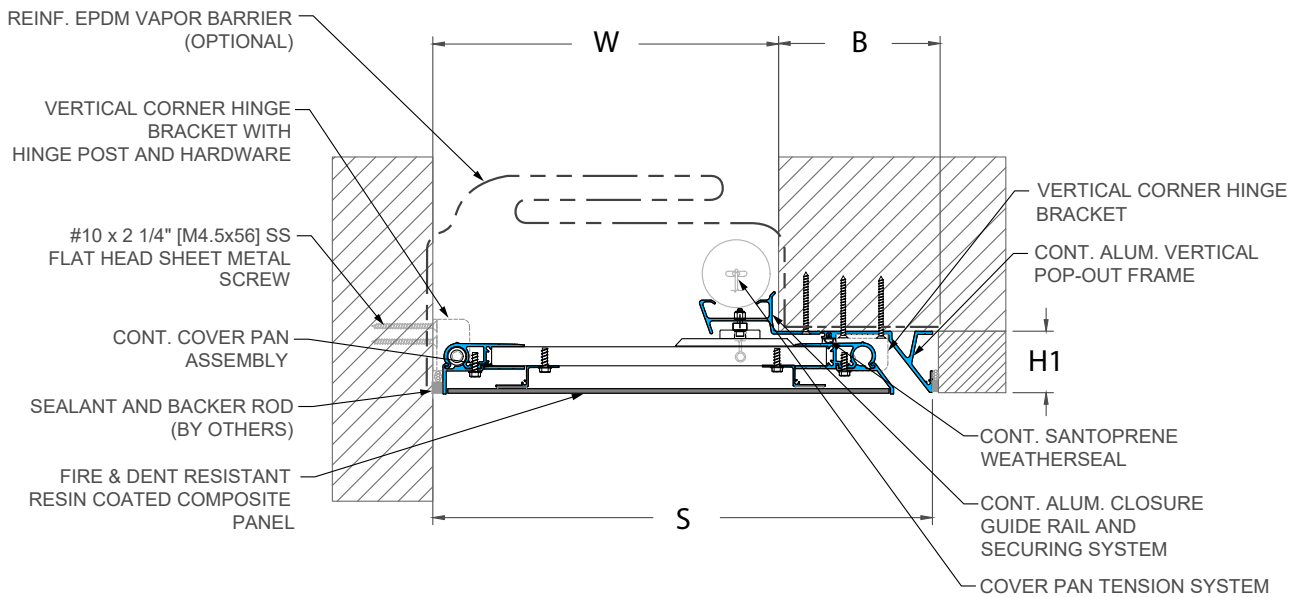
650C Series - Exterior

Wall Systems

A07-650C-300 Wall/Wall
(12" (305mm) system shown)



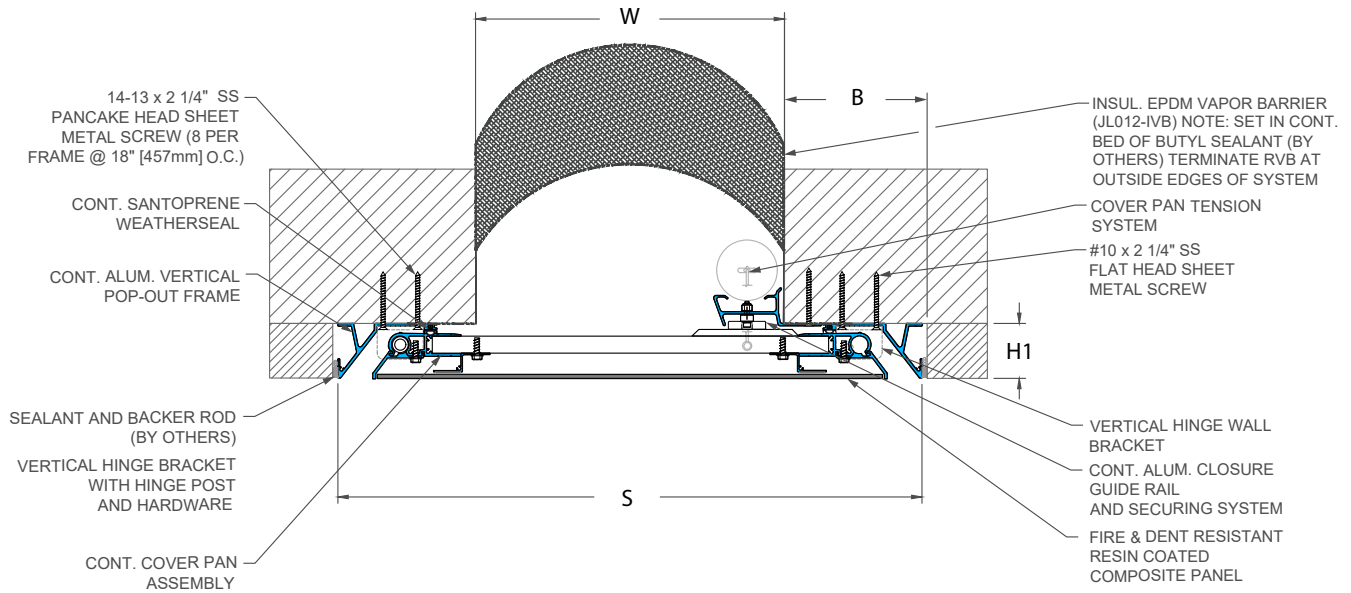
A09-650C-300 Wall/ Corner
(12" (305mm) system shown)



650C Series - Exterior

Options

A07-650C-300 Wall/Wall
With Insulated Vapor Barrier
(12" (305mm) system shown)



A07-650C-300 Wall/Wall
With Fire Barrier
(12" (305mm) system shown)

